

1

2

3

4

A

B

C

D

E

F

A

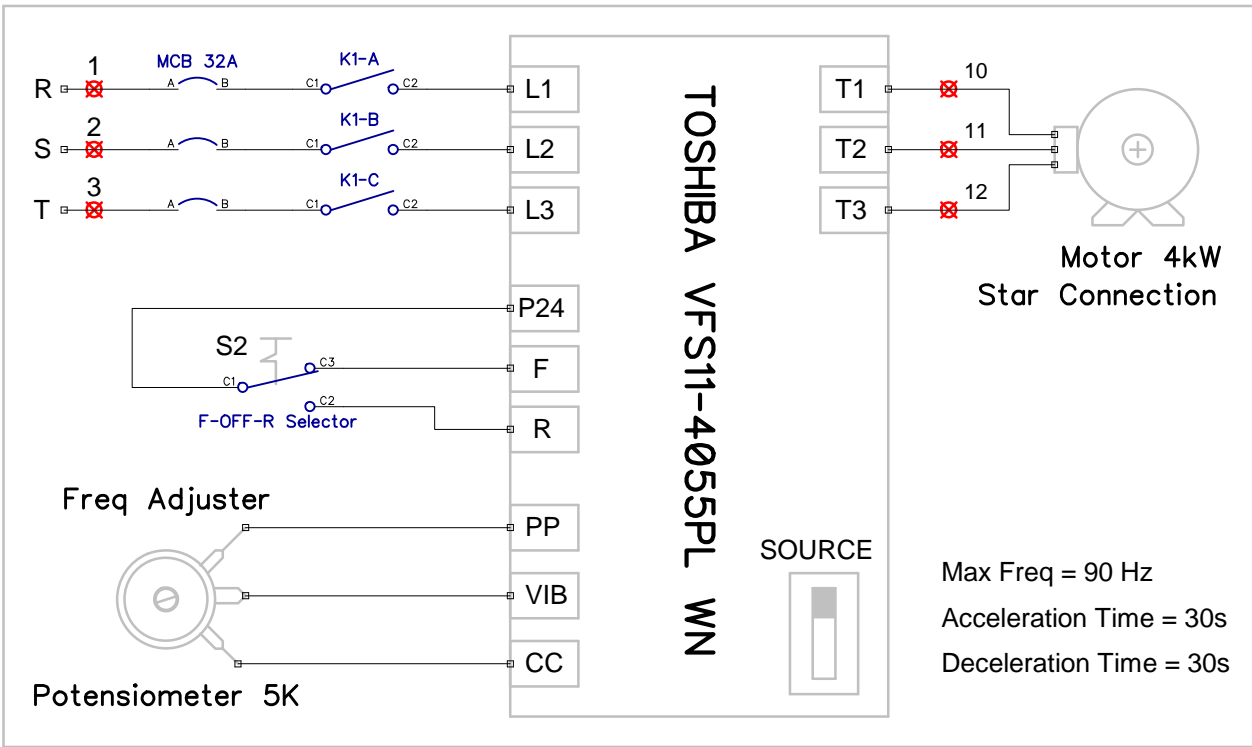
B

C

D

E

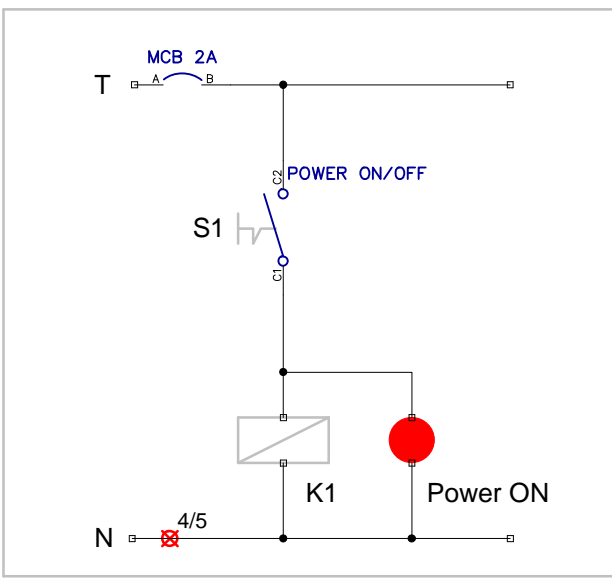
F



Rangkaian Daya

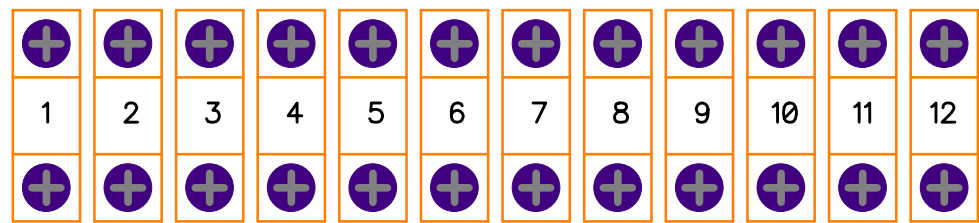
PARAMETER	VALUE
CnOd	0
FnOd	2
FH	90
UL	90
LL	0
ACC	30
dEC	30
F210	0
F211	0
F212	100
F213	90
tHr	85

Setting Parameter



Rangkaian Kontrol

<http://teknikelektrolinks.com>



Itemref	Quantity	Title/Name, designation, material, dimension etc			Article No./Reference		
Designed by Chandra MDE		Checked by	Approved by - date - 00/00/00	File name	Date 09/08/10	Scale 1:1	
5.5kW Grinder VSD				TEKNIK ELEKTRO LINKS			
				Chandra MDE		Edition 1	Sheet 1/1